

EASEMENT LEGEND

- (A) EASEMENTS FOR PUBLIC UTILITIES.
- (B) EASEMENTS FOR PUBLIC UTILITIES AND GENERAL RIGHT OF PUBLIC TO ENTRY AND SURFACE USE FOR VEHICULAR AND PEDESTRIAN PURPOSES ONLY.
- (C) EASEMENTS FOR PUBLIC UTILITIES AND GENERAL RIGHT OF PUBLIC TO ENTRY AND SURFACE USE FOR PEDESTRIAN PURPOSES ONLY.
- (D) EASEMENTS FOR PUBLIC UTILITIES AND GENERAL RIGHT OF OWNERS AND/OR OCCUPANTS OF ANY PART OF THIS PARTICULAR SUBDIVISION EXCEPT LOTS 1 AND 32 (SCHOOL LOTS) TO ENTRY AND SURFACE USE FOR VEHICULAR AND PEDESTRIAN PURPOSES ONLY.
- (E) EASEMENTS FOR PUBLIC UTILITIES AND GENERAL RIGHT OF OWNERS AND/OR OCCUPANTS OF ANY PART OF THIS PARTICULAR SUBDIVISIONS EXCEPT LOTS 1 AND 32 (SCHOOL LOTS) TO ENTRY AND SURFACE USE FOR PEDESTRIAN PURPOSES ONLY.

BASIS OF BEARINGS

BEARINGS SHOWN ARE BASED UPON THE LINE BETWEEN FOUND STANDARD CITY STREET MONUMENTS ALONG LINDA VISTA DRIVE. BEARING TAKEN AS NORTH 20°35'05" EAST PER 120 M 49, BASED ON THE CALIFORNIA COORDINATE SYSTEM, ZONE III (NAD 83).

LEGEND

- ⊙ FOUND STANDARD CITY MONUMENT PER 120 M 49
- SET 5/8" REBAR W/PLASTIC CAP LS 6925
- ✕ SET NAIL WITH TAG LS 6925
- () RECORD INFORMATION PER 91 M 44
- (T) TOTAL
- SFNF SEARCHED FOR NOTHING FOUND

SURVEYOR'S STATEMENT

THIS MAP CORRECTLY REPRESENTS A SURVEY MADE BY ME OR UNDER MY DIRECTION IN CONFORMANCE WITH THE REQUIREMENTS OF THE PROFESSIONAL LAND SURVEYORS' ACT AT THE REQUEST OF _____ IN DECEMBER 2013.

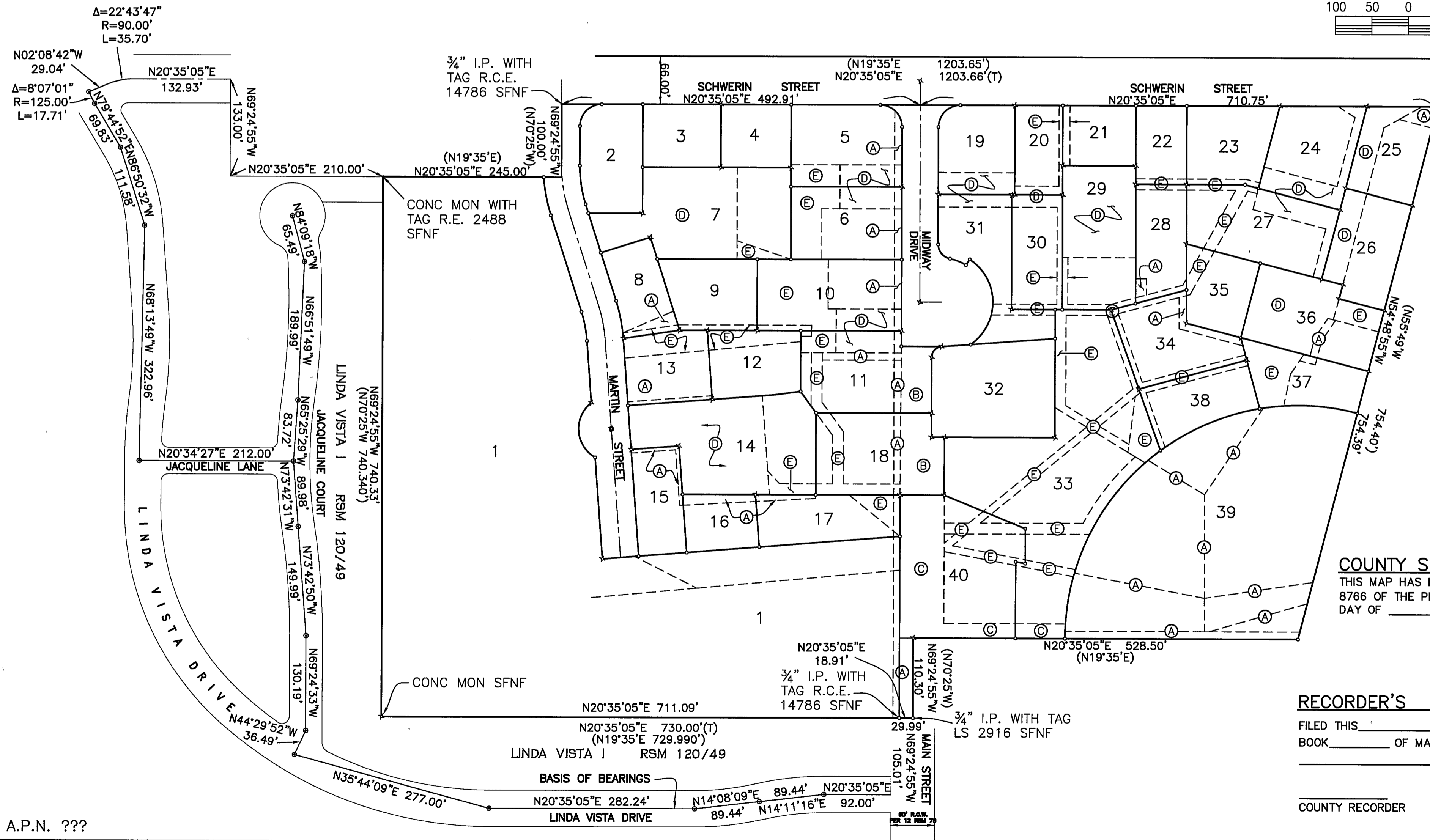
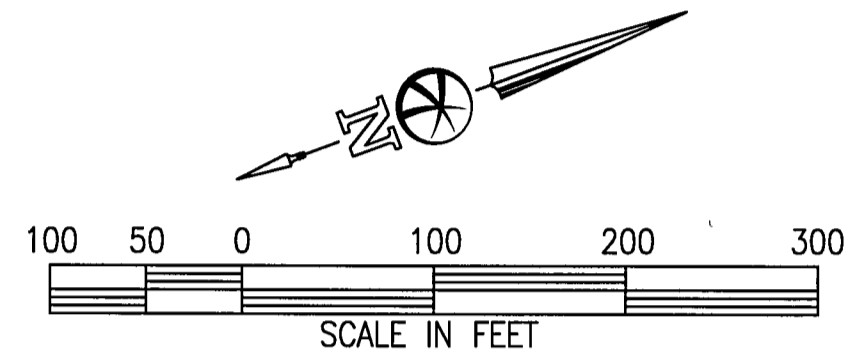
CHARLES N, CAPP PLS 6925

EXP. DATE: _____

RECORD OF SURVEY

SURVEY OF THE MAP ENTITLED "MIDWAY VILLAGE" RECORDED JULY 26, 1976 IN BOOK 91 OF MAPS AT PAGE 44, SAN MATEO COUNTY RECORDS, DALY CITY, CALIFORNIA

DECEMBER 2013 SCALE: 1" = 100'
 BELLECCI & ASSOCIATES, INC.
 CONCORD



COUNTY SURVEYOR'S STATEMENT

THIS MAP HAS BEEN EXAMINED IN ACCORDANCE WITH SECTION 8766 OF THE PROFESSIONAL LAND SURVEYORS' ACT THIS DAY OF _____, 2013.

BY: _____

COUNTY SURVEYOR
 P.L.S.

RECORDER'S STATEMENT

FILED THIS _____ DAY OF _____, 20____ AT ____M. IN BOOK _____ OF MAPS AT PAGE _____ AT THE REQUEST OF _____

 COUNTY RECORDER

BY: _____
 DEPUTY COUNTY RECORDER